

HOTELS

Round -Wall-mounted toilet brush holder

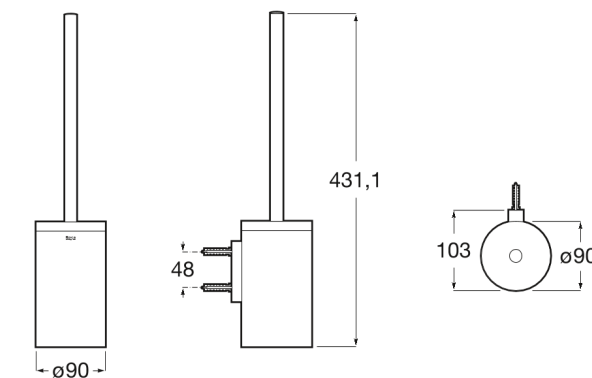
DIMENSIONS

Length 90 mm
 Width 90 mm
 Height 431 mm

COLOURS AND FINISHES

 SM Stainless Steel Finish

TECHNICAL DRAWINGS



FEATURES

Wall-mounted toilet brush holder.

Finish: Chrome

Fixing kit: Included

Installation options: Only with screws

Installation type: Wall-mounted

Material: Metal

Maximum weight supported (Kg): 5

Hotels

An alliance between simplicity, style and functionality. This collection has been designed to adapt to any space and requirement. Inspired by minimalist forms, it is characterised by its great versatility. It is a solution thought of for both small and large design projects, whether public or private.



INSTALLATION AND USER MANUALS



[Installation Handbook](#)